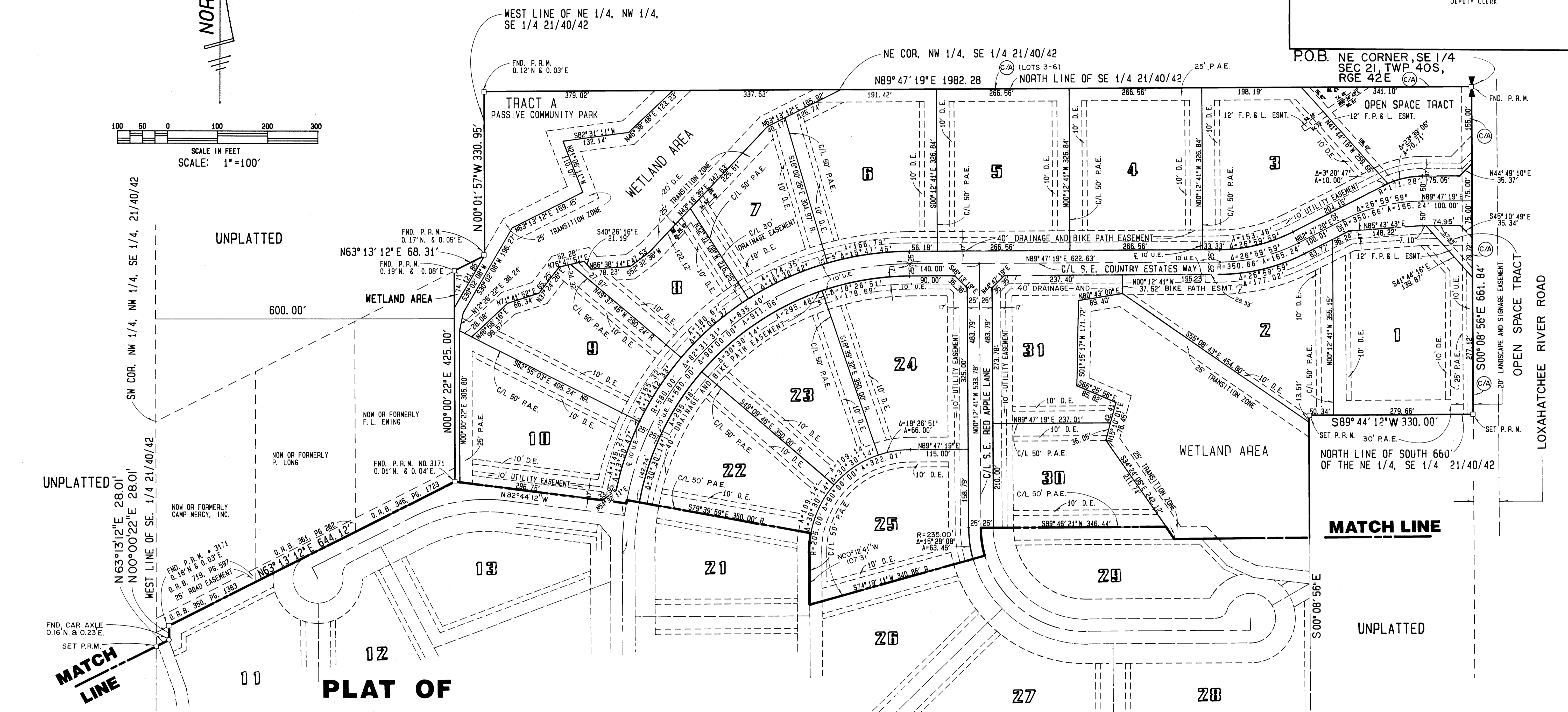
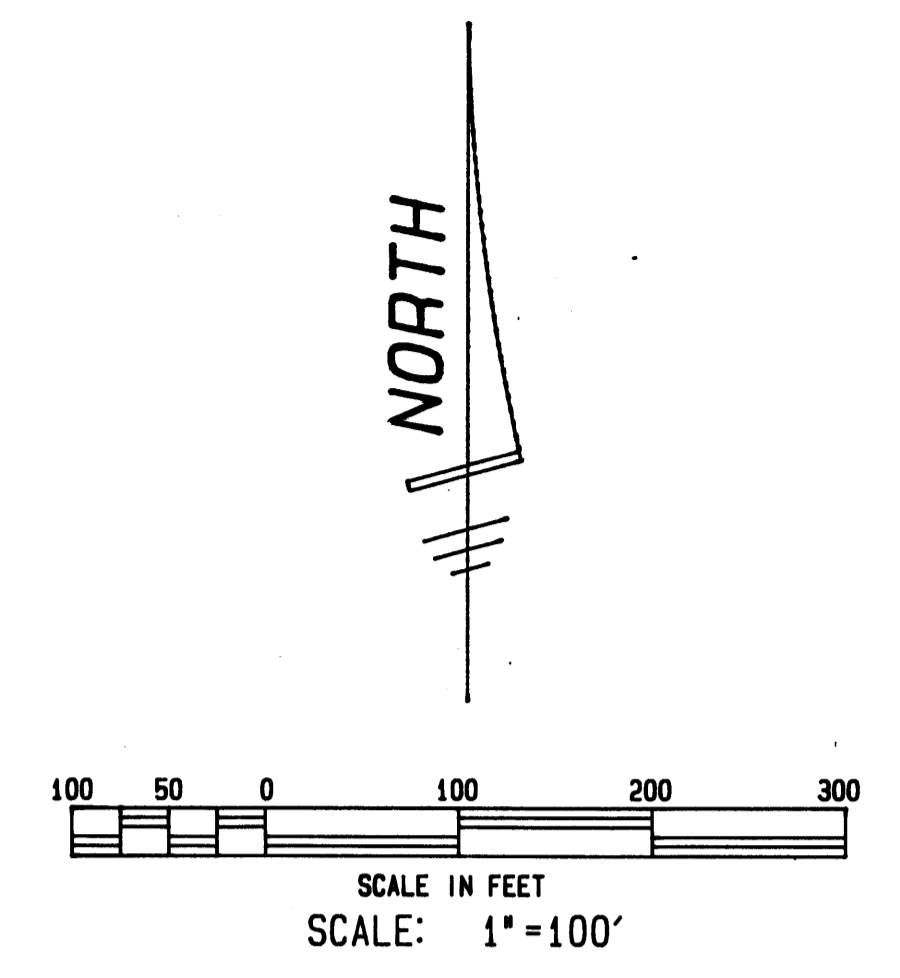


I, MARSHA STILLER, CLERK OF THE CIRCUIT COURT OF MARTIN COUNTY, FLORIDA, DO HEREBY CERTIFY THAT THIS PLAT WAS FILED FOR RECORD IN PLAT BOOK _____ PAGE _____ MARTIN COUNTY, FLORIDA, PUBLIC RECORDS, THIS _____ DAY OF _____ 1989

MARSHA STILLER
CLERK CIRCUIT COURT
MARTIN COUNTY, FLORIDA

File No.: _____ BY: _____
DEPUTY CLERK

RIVER'S EDGE S/D
(UNRECORDED)



PLAT OF
ISLAND COUNTRY ESTATES
(A P.U.D.)

BEING A PORTION OF SECTION 21, TOWNSHIP 40 SOUTH,
RANGE 42 EAST, MARTIN COUNTY, FLORIDA

JANUARY 1989

PLAT OF		
ISLAND COUNTRY ESTATES		
WALLACE SURVEYING CORPORATION 9176 ALTERNATE A1A, LAKE PARK, FLORIDA 33403 • 305/842-4233		
FIELD: M. TUBBS	JOB NO: 88-1377	FB MC7 PG 36
OFFICE: M. BROWN	DATE: JANUARY 1989	DWG NO: 88-1377
C/K: F. GRITA	REF: 81-65	SHEET: 2 OF 3